

KM3L

evolution



- SAFETY LIMITER
- ANALOG OUTPUT (RETRANSMISSION)
- 2 ALARMS
- FM CERTIFICATION
- 3 DYNAMIC COLOUR LED DISPLAY

FEATURES

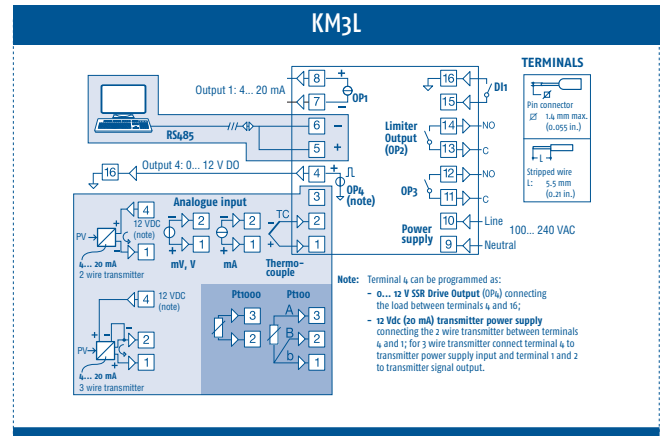
DISPLAY	
Dual LED	<p>KM3L</p> <p>Main display: 4 digit h 15.5 mm 3 dynamic colours: red, green and amber Secondary display: 4 green digit, h 7 mm</p>
INPUTS	
One	<p>Thermocouples: J (-50... +1000°C/-58... 1832°F), K (-50... +1370°C/-58... 2498°F), S/R (-50... +1760°C/-58... 3200°F), T (-70... +400°C/-94... 752°F) Thermoresistances: 3 wires Pt 100 and 2 wires Pt 1000 (-200... 850°C/-328... 1562°F) Linear signals: 0/12... 60mV, 0/4... 20mA, 0/1... 5V, 0/2... 10V</p>
Accuracy	± 0.5% span ±1 digit, (±1% span ±1 digit for T/c S type)
Digital input	1
OUTPUTS	
Up to 4	<p>OUT 1 (Retransmission): analogue galvanically isolated 0/4... 20 mA, 0/2... 10V OUT 2 (Limiter): Relay SPST-NO 2A/240 Vac OUT 3 (Alarm): Relay SPST-NO 2A/240 Vac OUT 4 (Alarm): voltage output to drive SSR 13V max. @ 1mA, 10.5V min. @ 22mA ±10% or transmitter supply</p>
FUNCTIONAL	
Control	Limiter (High and Low limits)
Alarms	2 alarms programmable as absolute, deviation, band
Serial communication	TTL (standard) + RS485 (optional), ModBus RTU protocol
Baud rate	1200... 38400 baud
GENERAL	
Power supply	100... 240 Vac/Vdc -15%/+ 10%, (50/60 Hz)
Power consumption	7 VA max
Dimensions / Weight	48 x 48 mm (1/16DIN) - depth 48+14 mm / 125 g or 63.3+14 mm/ 151 g
Mounting	Flush in panel in 45 x 45 mm hole
Connections	16 screw terminals 2.5 mm ² (AWG22... AWG14) fix or plug-in type
Front protection degree	IP 65, mounted on panel with gasket
Operating / storage temperature	0... 50°C (32... 122°F)/-20... +70°C (-4... 158°F)
Operating humidity	20... 95 RH% without condensation
Conformity and approvals	EN 61010-1, EN 61326 - FM (Factory mutual)

HOW TO ORDER

To compose the part number, pls. choose one of the option for each variable

KM3L	CODE
POWER SUPPLY	
100... 240 Vac/Vdc	H
INPUT	
TC, RTD, mA, V, mV + digital input 1	C
OUT 1 (RETRANSMISSION)	
0/4... 20 mA, 0/2... 10V galvanically isolated	I
OUT 2 (LIMITER)	
Relay SPST 2A	R
OUT 3 (ALARM)	
Relay SPST 2A	R
Not available	-
OUT 4 (ALARM)	
Vds for SSR driving output or transmitter supply	D
RS485	
Available	S
Not available	-
CONNECTION	
Fix screw type (standard)	-
Plug-in screw type	E

CONNECTIONS



DIMENSIONS

